

16mm PILOT LIGHT AND LED LAMP (REPLACES GE ET-16 SOCKET)



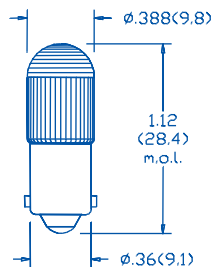
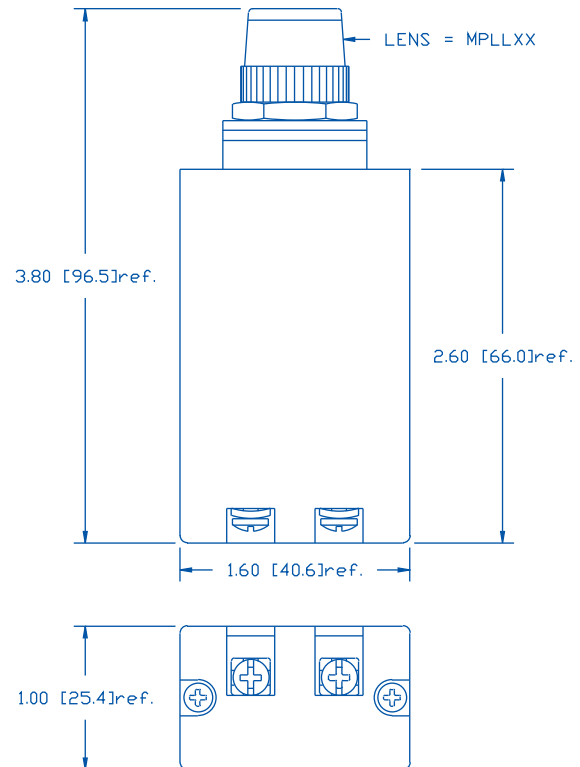
- UL Listed for Type 1, 2, 3, 3R, 4/4X, 12 and 13
- Includes bayonet-based LED lamp and Lexan™ lens
- Mounts in 16mm (5/8") hole
- Self-lifting captive wire clamps
- 24V, 48V and 120V
- Choice of five colors

The PowerLine® PL16 Pilot Light features polyester construction for superior corrosion resistance, moisture rejection and electrical insulation. All units are supplied with #6 terminal screws with self-lifting captive wire clamps to accommodate #22 through two #12 AWG wires per terminal. Nickel-plated clamp rings are ideal for corrosive environments. All units mount in a round 16mm (5/8") hole and are directly interchangeable with competitor units.

To select a PowerLine® Pilot Light:

1. Identify your input voltage from the chart below.
2. Select the appropriate PowerLine® LED part number.

INPUT VOLTAGE	MAXIMUM VOLTAGE	PowerLine® LED PART #	COLOR
24AC/DC	26	PL16-R24-CR	Red
24AC/DC	26	PL16-A24-CA	Amber
24AC/DC	26	PL16-G24-CG	Green
24AC/DC	26	PL16-B24-CB	Blue
24AC/DC	26	PL16-W24-CW	White
48AC/DC	52	PL16-R48-CR	Red
48AC/DC	52	PL16-A48-CA	Amber
48AC/DC	52	PL16-G48-CG	Green
48AC/DC	52	PL16-B48-CB	Blue
48AC/DC	52	PL16-W48-CW	White
120AC/DC	140	PL16-R120-CR	Red
120AC/DC	140	PL16-A120-CA	Amber
120AC/DC	140	PL16-G120-CG	Green
120AC/DC	140	PL16-B120-CB	Blue
120AC/DC	140	PL16-W120-CW	White



LED Lamp for PL-16 Pilot Light (included)

All dimensions are in inches (mm) Tolerances: .xx"(x) ±0.25"(.63)/ .xxx"(.xx)±.010"(.25) Specifications are subject to change without notice.