

DATA DISPLAY PRODUCTS (DDP) PROPRIETARY INFORMATION. DO NOT REPRODUCE, COPY, OR USE WITHOUT EXPRESS WRITTEN PERMISSION. COPYRIGHT DATA DISPLAY PRODUCTS.

REV.	DATE	BY	DESCRIPTION	502531
C	990223	LC	ADD ORANGE OPTION	

## ELECTRO-OPTICAL CHARACTERISTICS

@ T<sub>a</sub> = 25°C

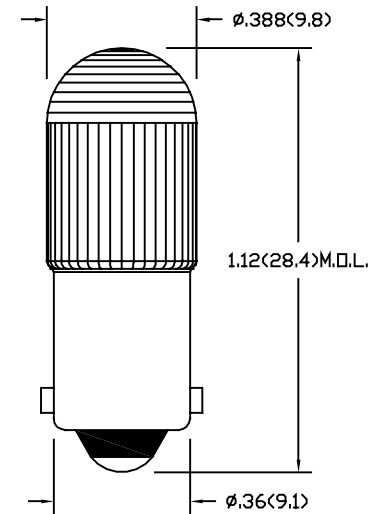
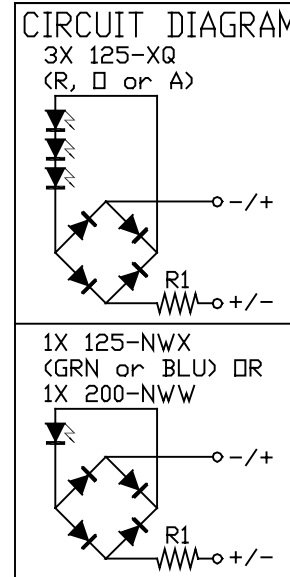
SYM	PARAMETER	X = LED COLOR						UNIT
		RED	ORANGE	AMBER	GREEN	BLUE	WHITE	
I <sub>v</sub>	TYP. LUMINOUS INTENSITY PER LED @ I <sub>f</sub> =20mA	340	200	200	1000	300	1100	mcd
V <sub>o</sub>	OPERATING VOLTAGE	120	120	120	120	120	120	VAC
I <sub>f</sub>	TYP. FORWARD CURRENT @ V <sub>f</sub> =120VAC	7.1	7.1	7.1	3.7	3.7	3.7	mA
I <sub>mx</sub>	MAX. FORWARD CURRENT @ V <sub>f</sub> =130VAC	8	8	8	4.2	4.2	4.2	mA
V <sub>br</sub>	REVERSE BREAKDOWN @ I <sub>r</sub> =100uA	-	-	-	-	-	-	V
λ <sub>pk</sub>	PEAK WAVELENGTH	654	621	592	520	465	-	nm
λ <sub>D</sub>	DOMINANT WAVELENGTH	644	615	590	525	470	-	nm

## ABSOLUTE MAX. RATINGS T<sub>a</sub>=25°C

PARAMETER	VALUE			UNIT
	R, O & A	GRN & BLU	WHITE	
POWER DISSIPATION	1040	546	546	mW
DERATE/°C >T <sub>a</sub>	15.6	8.2	8.2	mW
OPERATING VOLTAGE	130	130	130	VAC
OPERATING TEMPERATURE	-55<+100	-20<+80	-30<+80	°C
STORAGE TEMPERATURE	-55<+100	-30<+100	-40<+100	°C

**REMARKS:**

- Dimensions are in inches(mm).
- The lens is clear-tinted with a fresnel pattern.
- Caution: GaInN LEDs are class 1 ESD sensitive (MIL-STD-1686). Exceeding absolute maximum ratings may cause damage to, or possibly result in catastrophic failure of these devices. Use appropriate ESD precautions during handling and operation.
- For 200-NWW LED chromaticity coordinate range, see drawing #502590.



<b>DDP Data Display Products</b>			
445 S. DOUGLAS ST., EL SEGUNDO, CA. 90245 (310)640-0442 FAX: (310)640-7639			
DATE: 980220	DWN BY: LC	CHK'D BY:	APPRV'D BY:
LAST REV. DATE: 990223	REV LEVEL: C	MATERIAL: -	
TITLE 120MBL-X-CX			
SCALE: NONE	TOL: ± .025(.63)	.XXX(.XX) ANG. .010(.25) -	DWG NUMBER: 502531